

## Slim LED Panel Down Light



Meets the general and decoration lighting environment such as:

- Office Lighting
- Restaurants
- Hotels
- Subway Stations
- School and hospital
- Hallway & lobbies
- Meeting Rooms

## Product benefits

---

- Energy saving up to 80%
- Ultra thin, only 13mm
- Slide lighting, light is soft and uniform, safe to eyes
- Dimmable version: Triac, PWM, 1-10V are optional
- CE, RoHS compliant
- NO UV or IR in the beam
- Cool light, no heat emission
- Easy to install and operate
- Green and eco-friendly without mercury

## Product Features

---

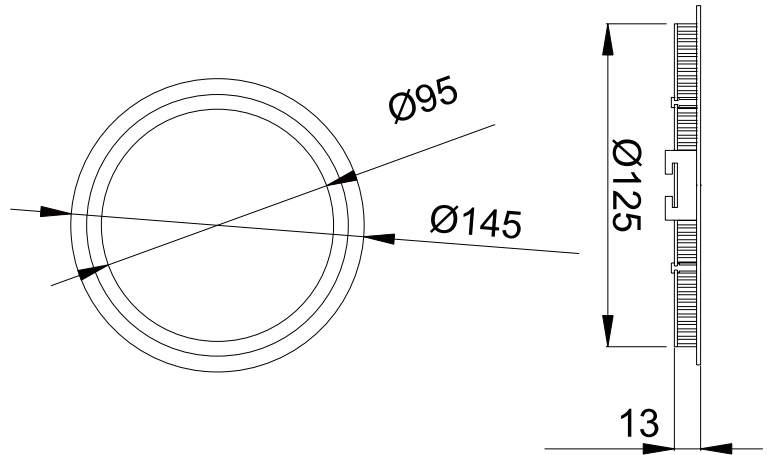
- Average Life: 40,000 hours
- Base: Terminal
- Use SMD3014 LED as light source, high brightness, low light decay and long lifespan
- Unique design with round shape, Excellent heat dissipation
- Material: Aluminum profile + PMMA LGP
- Use the isolated-driver and safety enough
- 3 years warranty
- CE&RoHS Standard
- White color frame is default, we can customize it

Products datasheet

**Dimension & Draw:**



SL-MDY145W36A4



**Technical data:**

General Description

Product Code	SL-MDY145W66A4
Base	Terminal
LED Qty	36 Pcs
Life Span	40,000 h

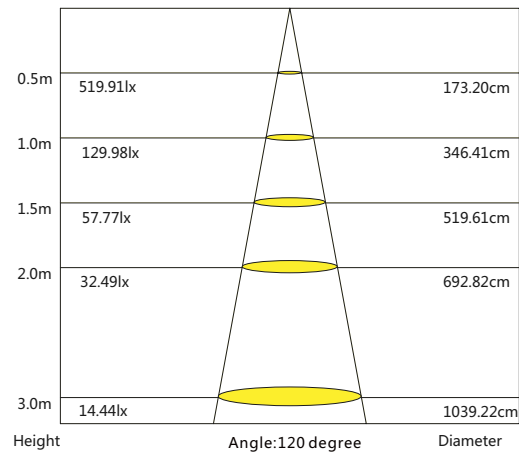
Electrical Data

Power Consumption	7W
Voltage	AC100-240V
Power Factor	0.85
Dimmable	Optional

Optical Data

Luminous Flux	490lm(White)
Beam Angle	120°
Color	White, Natural White, Warm White
CRI	75

Lux Data



SL-MDY145W36A4

**Order Information:**

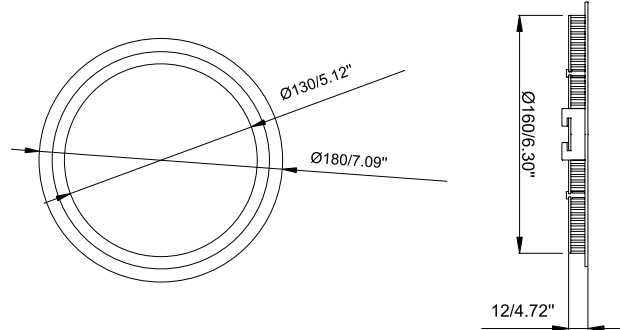
Model No#	Color	CCT	Luminous Flux	Voltage	Beam Angle
SL-MDY145W36A4	White	6000K	490lm	AC100-240V	120°
SL-MDY145NW36A4	Natural White	4000K	450lm	AC100-240V	120°
SL-MDY145WW36A4	Warm White	3000K	430lm	AC100-240V	120°

## Products datasheet

### Dimension & Draw:



SL-MDY180W48A4



### Technical data:

#### General Description

Product Code	SL-MDY180W48A4
Base	Terminal
LED Qty	48 Pcs
Life Span	40,000 h

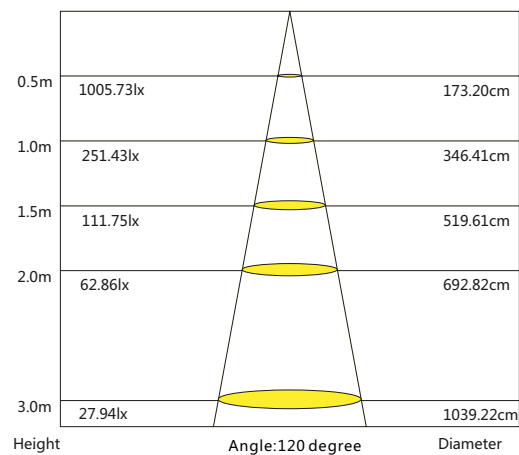
#### Electrical Data

Power Consumption	10W
Voltage	AC100-240V
Power Factor	0.85
Dimmable	Optional

#### Optical Data

Luminous Flux	645lm(White)
Beam Angle	120°
Color	White, Natural White, Warm White
CRI	75

#### Lux Data



SL-MDY180W48A4

### Order Information:

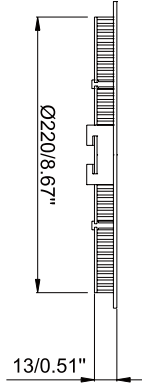
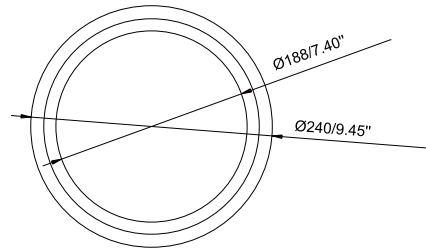
Model No#	Color	CCT	Luminous Flux	Voltage	Beam Angle
SL-MDY180W48A4	White	6000K	645lm	AC100-240V	120°
SL-MDY180NW48A4	Natural White	4000K	613lm	AC100-240V	120°
SL-MDY180WW48A4	Warm White	3000K	585lm	AC100-240V	120°

## Products datasheet

### Dimension & Draw:



SL-MDY240W72A4



### Technical data:

#### General Description

Product Code	SL-MDY240W72A4
Base	Terminal
LED Qty	72 Pcs
Life Span	40,000 h

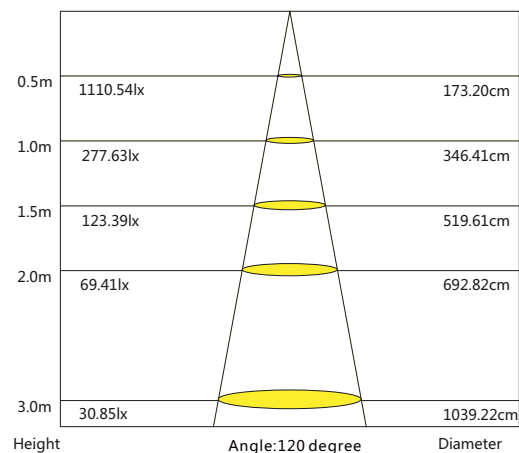
#### Electrical Data

Power Consumption	15W
Voltage	AC100-240V
Power Factor	0.85
Dimmable	Optional

#### Optical Data

Luminous Flux	1020lm(White)
Beam Angle	120°
Color	White, Natural White, Warm White
CRI	75

#### Lux Data



SL-MDY240W72A4

### Order Information:

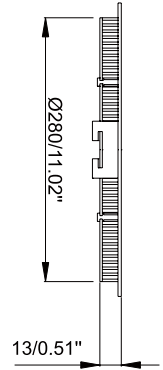
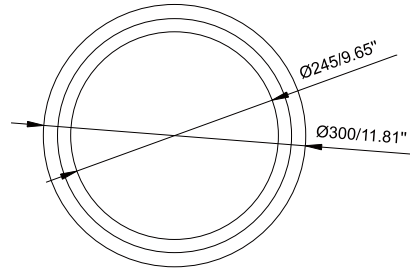
Model No#	Color	CCT	Luminous Flux	Voltage	Beam Angle
SL-MDY240W72A4	White	6000K	1020lm	AC100-240V	120°
SL-MDY240NW72A4	Natural White	4000K	980lm	AC100-240V	120°
SL-MDY240WW72A4	Warm White	3000K	930lm	AC100-240V	120°

## Products datasheet

### Dimension & Draw:



SL-MDY300W90A4



### Technical data:

#### General Description

Product Code	SL-MDY300W90A4
Base	Terminal
LED Qty	90 Pcs
Life Span	40,000 h

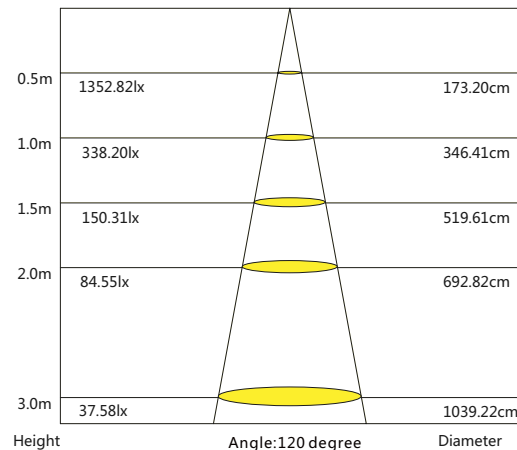
#### Electrical Data

Power Consumption	18W
Voltage	AC100-240V
Power Factor	0.85
Dimmable	Optional

#### Optical Data

Luminous Flux	1283lm(White)
Beam Angle	120°
Color	White, Natural White, Warm White
CRI	75

#### Lux Data



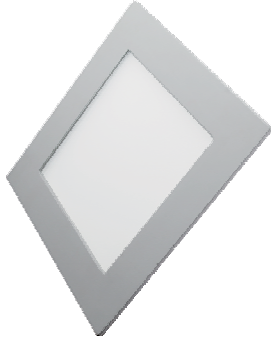
SL-MDY300W90A4

### Order Information:

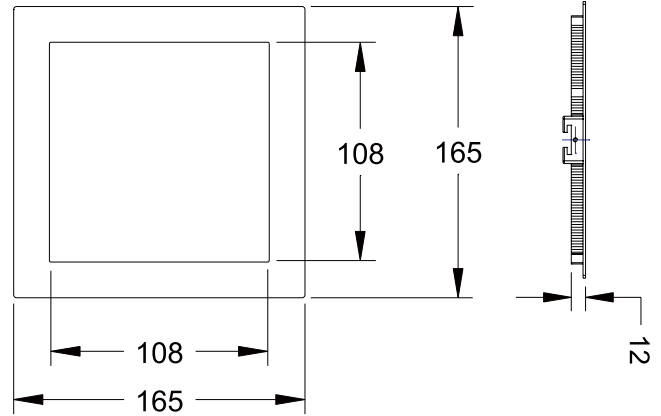
Model No#	Color	CCT	Luminous Flux	Voltage	Beam Angle
SL-MDY300W90A4	White	6000K	1283lm	AC100-240V	120°
SL-MDY300NW90A4	Natural White	4000K	1202lm	AC100-240V	120°
SL-MDY300WW90A4	Warm White	3000K	1105lm	AC100-240V	120°

Products datasheet

**Dimension & Draw:**



SL-MDF165W45A4



**Technical data:**

General Description

Product Code	SL-MDF165W45A4
Base	Terminal
LED Qty	45 Pcs SMD2835
Life Span	40,000 h

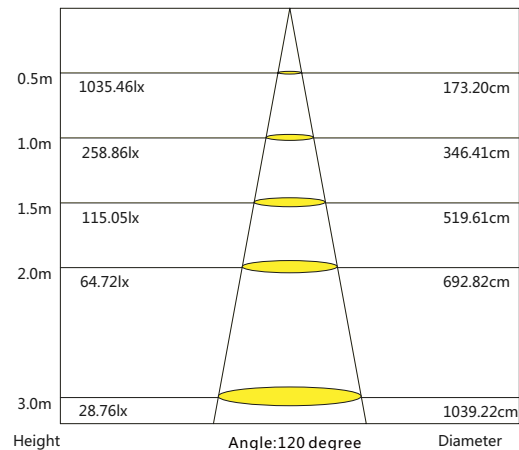
Electrical Data

Power Consumption	10W
Voltage	AC100-240V
Power Factor	0.85
Dimmable	Optional

Optical Data

Luminous Flux	715lm(White)
Beam Angle	120°
Color	White, Pure White, Warm White
CRI	75

Lux Data



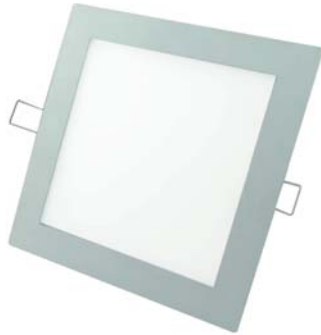
SL-MDF165W45A4

**Order Information:**

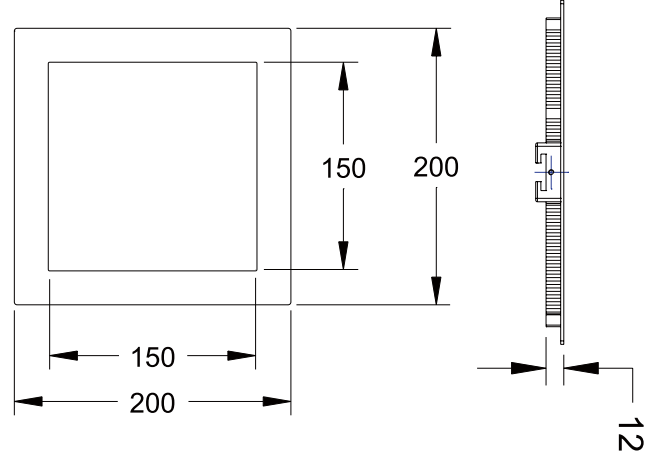
Model No#	Color	CCT	Luminous Flux	Voltage	Beam Angle
SL-MDF165W45A4	White	6000K	715lm	AC100-240V	120°
SL-MDF165NW45A4	Natural White	4000K	680lm	AC100-240V	120°
SL-MDF165WW45A4	Warm White	3000K	620lm	AC100-240V	120°

Products datasheet

**Dimension & Draw:**



SL-MDF200W60A4



**Technical data:**

General Description

Product Code	SL-MDF200W60A4
Base	Terminal
LED Qty	60 Pcs SMD2835
Life Span	40,000 h

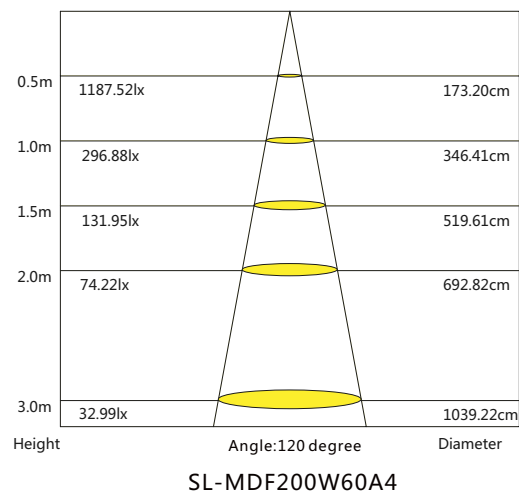
Electrical Data

Power Consumption	12W
Voltage	AC100-240V
Power Factor	0.85
Dimmable	Optional

Optical Data

Luminous Flux	800lm(White)
Beam Angle	120°
Color	White, Pure White, Warm White
CRI	75

Lux Data



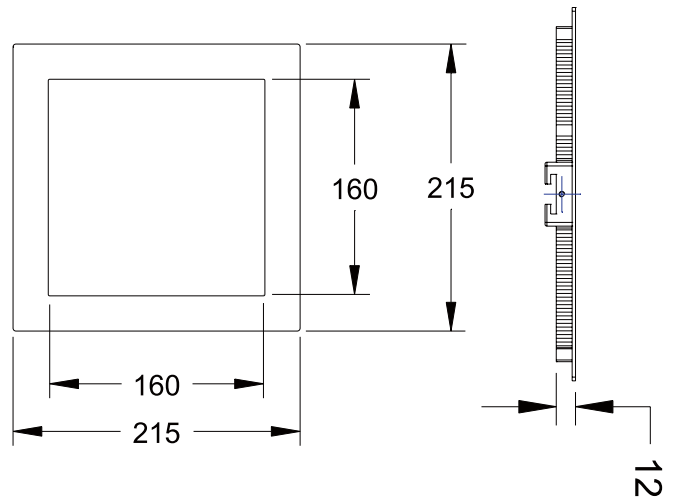
**Order Information:**

Model No#	Color	CCT	Luminous Flux	Voltage	Beam Angle
SL-MDF200W60A4	White	6000K	800lm	AC100-240V	120°
SL-MDF200NW60A4	Natural White	4000K	750lm	AC100-240V	120°
SL-MDF200WW60A4	Warm White	3000K	720lm	AC100-240V	120°

Products datasheet

Dimension & Draw:

SL-MDF215W96A4



Technical data:

General Description

Product Code	SL-MDF215W96A4
Base	Terminal
LED Qty	96 Pcs SMD2835
Life Span	40,000 h

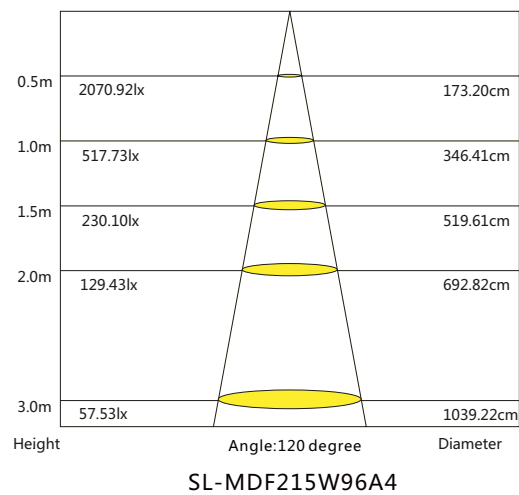
Electrical Data

Power Consumption	20W
Voltage	AC100-240V
Power Factor	0.85
Dimmable	Optional

Optical Data

Luminous Flux	1430lm(White)
Beam Angle	120°
Color	White, Pure White, Warm White
CRI	75

Lux Data



SL-MDF215W96A4

Order Information:

Model No#	Color	CCT	Luminous Flux	Voltage	Beam Angle
SL-MDF215W96A4	White	6000K	1430lm	AC100-240V	120°
SL-MDF215PW96A4	Pure White	4000K	1350lm	AC100-240V	120°
SL-MDF215WW96A4	Warm White	3000K	1280lm	AC100-240V	120°

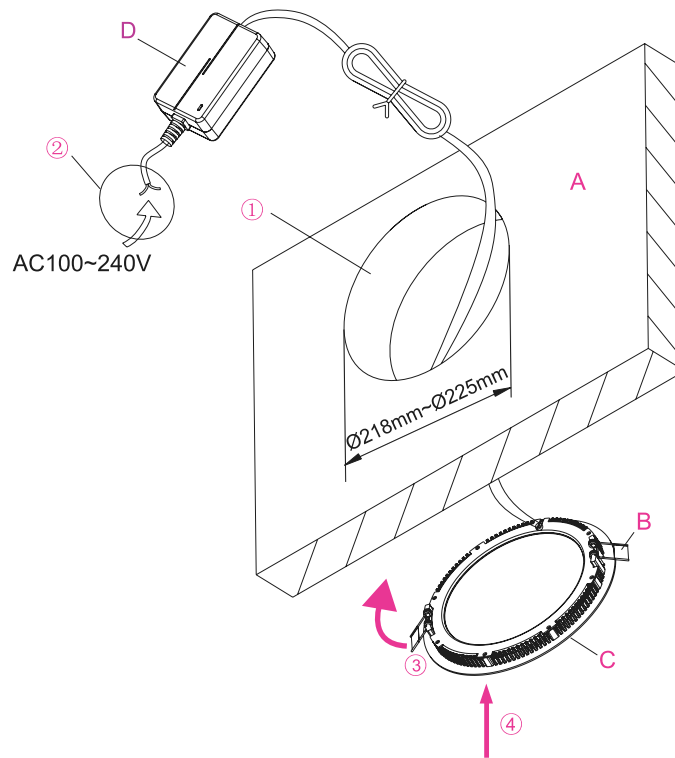


## Absolute Maximum Rating:

Parameter	Rating	Units
Aluminum Heat sink Temperature	65	° C
Operating Temperature	-20~+40	° C
Storage Temperature	-20~+80	° C
Equilibrium Temperature	58	° C

## Installation Draw:

①	make a hole
②	connect the power wire
③	push spring
④	put the lamp into the hole



A	Wall
B	Spring
C	LED lamp
D	Driver